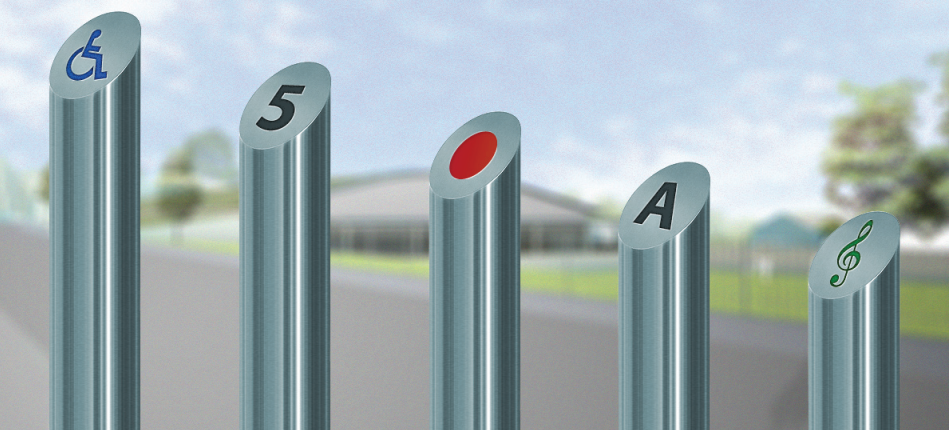


RANGE:

Forever.

Bollards



SPECIFICATION:

Materials:

Like every product in our Forever Range, we use 316 Stainless Steel throughout for maximum lifespan, even in coastal areas.

Any design can be embossed and infilled with paint on to the top surface.

Details:

Common dimensions are:
900mm or 1000mm above ground
300mm below ground
120mm diameter

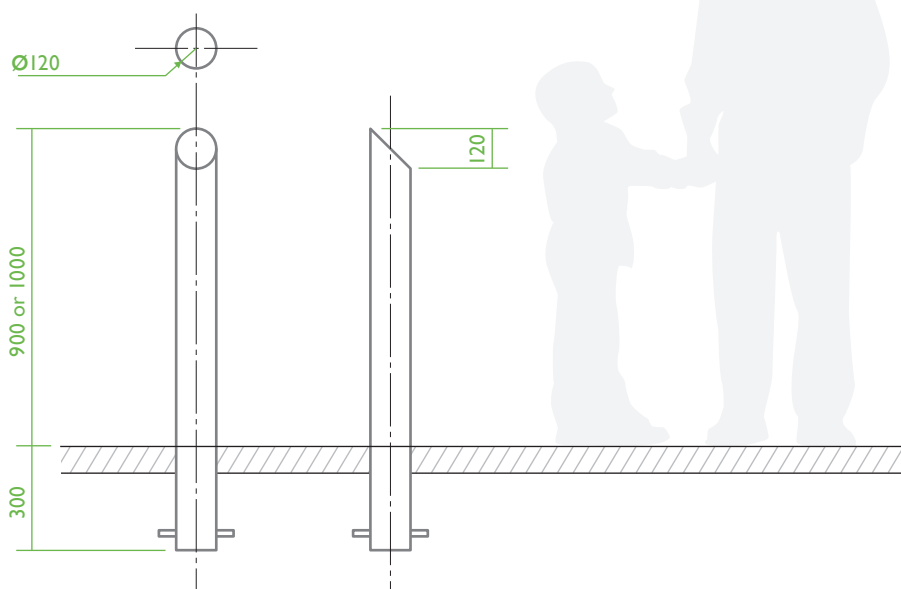
As all our Forever Range is fabricated to order in the UK, any design can be accommodated.

Options:

Common top styles are flat, semi-dome and mitred.



DIMENSIONS:



STEELSCAPE

01282 835 370

www.steelscape.co.uk